

DRILLING MACHINE FOR FLAT EXPANSION TANK

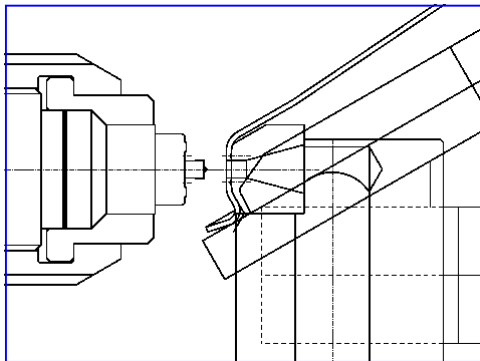
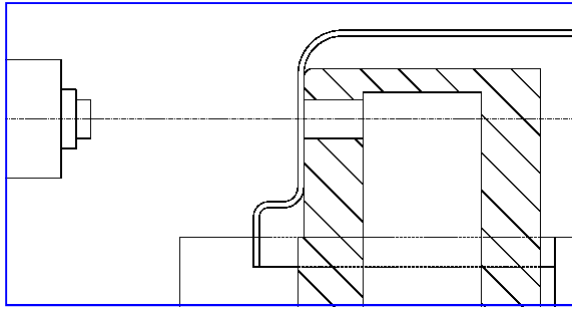


TECHNICAL SPECIFICATIONS

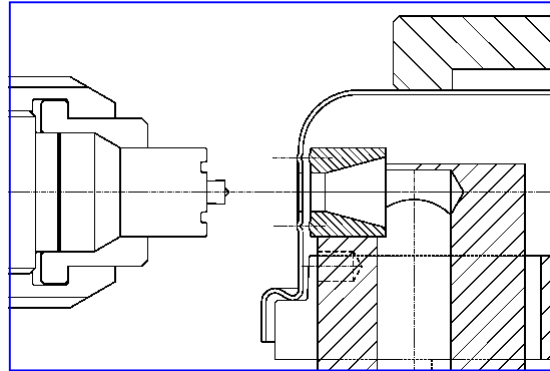
- **Types of expansion tank:** **cyrcular flat and rectangular flat**
- **Height of hole:** **variable**
- **Max force of drilling and coining unity:** **15.000 Kg**
- **Operator safety:** **two hand control pulpit and photoelectric barriers**

Sheet Metal Men s.r.l.
Via Luigi Cazzola, 35/E 36015 Schio (VI) Italy
Tel. (+39) 0445 315431 Fax. (+39) 0445 319944
E-mail: info@sheetmetalmen.it Web: www.sheetmetalmen.it

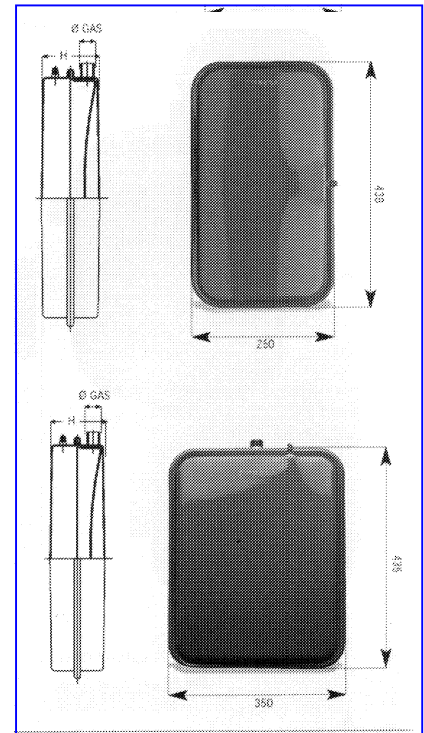
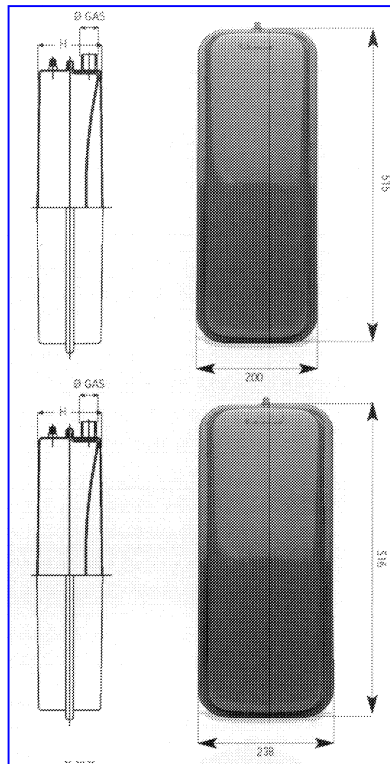
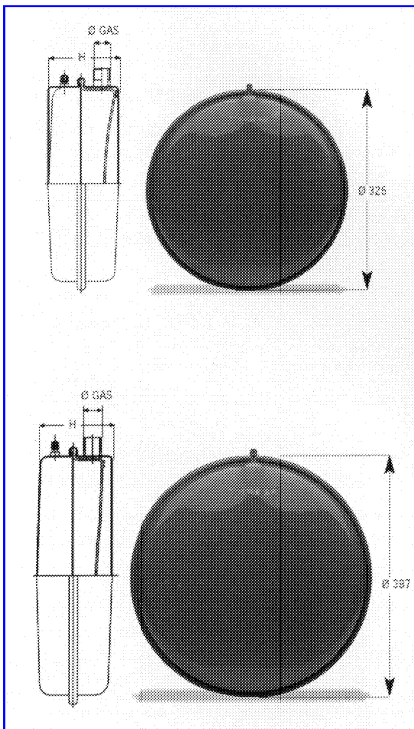
**Drilling unity to make
hole to fix valve**



**Drilling and coining unity to
make the special hole where
is welded with protection the
water connection.**



Types of flat expansion tanks drilled and coined with this machine



Sheet Metal Men s.r.l.

Via Luigi Cazzola, 35/E 36015 Schio (VI) Italy

Tel. (+39) 0445 315431 Fax. (+39) 0445 319944

E-mail: info@sheetmetalmen.it Web: www.sheetmetalmen.it